

TB409

Internal Plasterboard for Dome and Flat Glass Rooflights

Guidance for Plasterboard Installation Below Dome and Flat Glass Rooflights

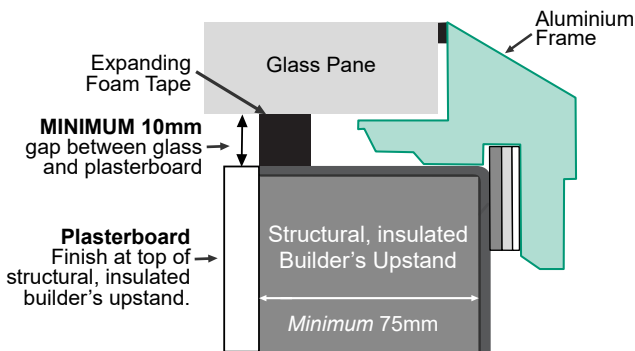
This is an advisory document only. Plasterboard should be installed in accordance with plasterboard manufacturer's instructions.

When installing plasterboard below a dome or flat glass rooflight:

- Install Plasterboard after installing the Rooflight
- The top of the plasterboard should finish at the base of the PVC kerb, or the top of the structural, insulated builder's upstand if no kerb is present.
- Do not use plasterboard to cover the rooflight PVC kerb/frame which have a white finish to suit most internal ceilings.
- For flat glass rooflights fitted directly to a structural, insulated builder's upstand ensure a gap of MINIMUM 10mm is maintained between the top of the plasterboard and the underside of the glass.
- Temporarily mask the Dome/Glass surface when installing plasterboard and applying paint to prevent damage.

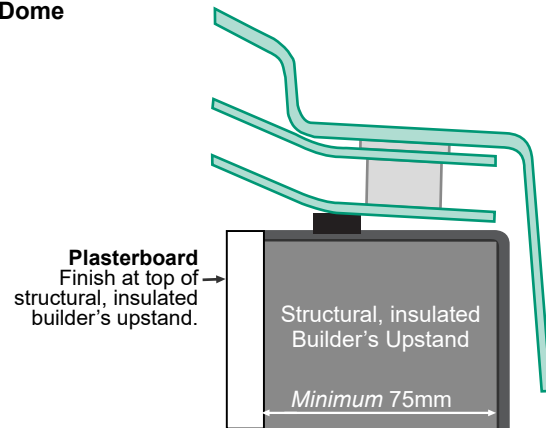
Fixed Rooflight Fitted to structural, insulated builder's upstand

Flat Glass



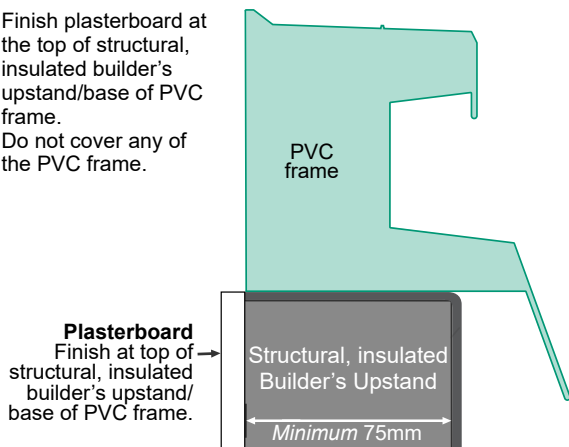
① Finish plasterboard at the top of the structural, insulated builder's upstand, ensuring there is a MINIMUM 10mm gap between the plasterboard and the underside of the glass

Dome



Opening/Vented Rooflights Fitted to Builder's Upstand

① Finish plasterboard at the top of structural, insulated builder's upstand/base of PVC frame. Do not cover any of the PVC frame.



Rooflights with 150mm and 300mm PVC Kerbs

① Finish plasterboard at the top of roof opening/base of PVC kerb. Do not cover any of the PVC kerb.

